



LEISURE STEAM®

**Personal
Steam Generators**

**INSTALLATION AND
OPERATING INSTRUCTIONS**

Models

Digital	One-Touch	Timer
LS100-D	LS100-1T	LS100-T
LS160-D	LS160-1T	LS160-T
LS240-D	LS240-1T	LS240-T
LS350-D	LS350-1T	LS350-T
LS460-D	LS460-1T	LS460-T

Write the model and serial numbers here:

Model # _____

Serial # _____

Find these numbers on the label on the front of the steam generator

Customer Service 866-605-1312 M-F 9-4 PST

Table of Contents

IMPORTANT SAFETY INSTRUCTIONS	4
Pre-Installation Instructions	5
Locating the Steam Generator	5
Steam Room Design Considerations	5
Safety Sign Instructions	6
How to Select the Proper Leisure Steam Generator	6
Plumbing Instructions	7
Steam Head Instructions.....	8
Digital Keypad Installation	9
Temperature Sensor Instructions.....	10
One-Touch Keypad Instructions	11
Timer Control Instructions	12
Electrical Instructions.....	13
Installation of Dual Tandem Generators	13
Final Installation Checklist.....	14
Electrical Wiring Diagrams.....	14
Digital Steam Generator Exploded View Parts List.....	15
One-Touch Steam Generator Exploded View Parts List.....	16
Timer Steam Generator Exploded View Parts List	17
Steam Tank Exploded View Parts List.....	18
Operating Instructions	19
Trouble Shooting Guide	20
Installation Notes	21
LIMITED 5-YEAR WARRANTY	22
REGISTRATION OF WARRANTY	22

Read all instructions before installing or servicing!

Leave this manual with the homeowner.

When installing and using this electrical equipment, basic safety precautions should always be followed, including the following:

IMPORTANT SAFETY INSTRUCTIONS

1. **READ AND FOLLOW ALL INSTRUCTIONS.**
2. **WARNING** DO NOT permit children to use this product unless they are closely supervised at all times.
3. **WARNING** To reduce the risk of injury:
 - A. The wet surfaces of steam enclosures may be slippery. Use care when entering or leaving.
 - B. The steam head is hot. Do not touch the steam head and avoid the steam near the steam head.
 - C. Prolonged use of the steam system can raise excessively the internal human body temperature and impair the body's ability to regulate its internal temperature (hyperthermia). Limit your use of steam to 10-15 minutes until you are certain of your body's reaction.
 - D. Excessive temperatures have a high potential for causing fetal damage during the early months of pregnancy. Pregnancy or possibly pregnant women should consult a physician regarding correct exposure.
 - E. Obese persons and persons with a history of heart disease, low or high blood pressure, circulatory system problems, or diabetes should consult a physician before using a steam bath.
 - F. Persons using medication should consult a physician before using a steam bath since some medication may induce drowsiness while other medications may affect heart rate, blood pressure and circulation.

Hyperthermia occurs when the internal temperature of the body reaches a level several degrees above the normal body temperature of 98.6 degrees F. The symptoms of hyperthermia include an increase in the internal temperature of the body, dizziness, lethargy, drowsiness, and fainting. The effects of hyperthermia include:

- A. Failure to perceive heat;
- B. Failure to recognize the need to exit the steam bath;
- C. Unawareness of impending risk;
- D. Fetal damage in pregnant women;
- E. Physical inability to exit the steam bath; and
- F. Unconsciousness.

WARNING: The use of alcohol, drugs, or medication can greatly increase the risk of hyperthermia.

SAVE THESE INSTRUCTIONS

Pre-Installation Instructions

Important: Water pressure should not exceed 45 PSI.

1. Verify that the correct model of generator, controls and accessories are supplied.
2. Locate the generator in an area that is accessible and will allow for periodic maintenance and future removal.
3. Double check that the correct size generator has been selected for the steam room and that the correct incoming line voltage and circuit breaker is provided.
4. The included 1/2" copper pressure union, and female adapters & 3/4" copper pressure union and male adapter must be installed to facilitate future removal of the generator.
5. It is highly recommended the use of a Leisure Steam 80/20 Mineral inline water filter be installed. **Not installed could void Warranty.**

Materials Needed for Proper Installation

Steam Outlet

- 1/2" copper Pipe
- 1/2" C x FIP Hi Ear female adapter
- 1/2" brass nipple
- Hi-temp foam pipe insulation

Drain Line (If Plumbed)

- 1/2" copper male adapter
- 1/2" copper pressure union
- 1/2" or 3/4" copper pipe and fittings

Miscellaneous

- 100% silicone caulk
- Pipe compound

Water Supply

- 1/4" or 1/2" water shut-off valve and fittings
- 1/4" OD copper tubing

Locating the Steam Generator

1. The Leisure Steam Generator may be located in any convenient area near the shower or tub area. Please refer to Figure 1 below for possible locations.
2. For best performance, locate the steam generator as close to the shower or tub area as possible, (not more than 30 feet away).
3. Do not install the steam generator inside the steam room, outdoors or in an unheated attic or basement where water could freeze.
4. Select a location that is dry and will enable access for future servicing.

Steam Room Design Considerations

1. Steam room must be completely enclosed (sides, top and bottom).
2. All inside surfaces of the steam room must be covered with a waterproof surface such as ceramic tile, fiberglass, molded acrylic, cultured marble, etc.
3. Ceiling and seats inside the steam room should be sloped to allow condensation to run off and prevent dripping on the bather. A ceiling slope of 2" per foot should be adequate.
4. Ceiling height should not exceed 8 feet. To minimize the ceiling height, it may be necessary in some installations to slope the ceiling from the center.
5. A floor drain should be installed for cleaning and allowing water drainage. For safety consideration, non-skid flooring should be used.
6. Vents inside the steam room are not recommended, but if used, must be positive closing and form a vapor-tight seal. Ducts must be waterproof.
7. Skylights and windows must be double pane, and skylights must be closed off and sealed at the ceiling height.
8. A vapor tight steam enclosure should be installed. The enclosure should be properly sealed to avoid water damage from escaping steam. It is recommended that 100% silicone caulk be used to seal all pipes and fittings. Steam must be prevented from escaping into the wall cavity.

Safety Sign Instructions

Included with every Leisure Steam Generator is a Warning label referred to as a Safety Sign. This Safety Sign must be installed after installation of the steam generator and/or completion of your steam room.

1. Remove protective back side of label.
2. Choose a location that is visible to all users.
 - A. Apply Safety Sign to the inside wall of the steam shower next to the Keypad or,
 - B. Apply Safety Sign to the outside door of the steam shower enclosure.

! WARNING

REDUCE THE RISK OF OVERHEATING AND SCALDING

1. Exit immediately if uncomfortable, dizzy or sleepy. Staying too long in a heated area is capable of causing overheating.
2. Supervise children at all times.
3. Check with a doctor before use if pregnant, diabetic, in poor health, or under medical care.
4. Breathing heated air in conjunction with consumption of alcohol, drugs, or medication is capable of causing unconsciousness.
5. Do not contact steam head or steam at the steam head.

REDUCE THE RISK OF SLIPPING AND FALL INJURY
Use care when entering or exiting the steam room, floor may be slippery.
Note: For additional safety consideration see Owners Manual.

! CAUTION

Stay at least 12" away from hot steam escaping from the steam head



LEISURE STEAM
Personal Steam Generators

Temecula, CA 92590 • Ph 866-605-1312 • WWW.Leisure-Steam.com

How to Select the Proper Leisure Steam Generator

Choosing the correct size generator has never been so easy. Leisure Steam generator feature Endless Steam Technology. Steam is produced at a continuous rate with no interruptions in steam flow. Simply calculate the cubic footage of the enclosures L x W x H, ignoring benches as they represent surface area to be heated and choose the generator closest to the enclosure size.

Example: L 6' x W 5" x H 8' = 240 total CF. In this example, the total cubic footage maxes out the cubic foot capability of the LS240. It is recommended the next size generator is selected. Compare the cubic foot requirement in Figure 1 with the Technical Information chart in Figure 2.



Figure 1

GENERATOR LOCATIONS

1. Attic | 2. Closet | 3. Vanity | 4. Basement | 5. Under Seat

CONTROLLER LOCATIONS

Outside steam room: Digital, One-Touch & Wall Timer

Inside Steam Room: Digital & One-Touch

Leisure Steam Generator Technical Information

Model	LS100	LS160	LS240	LS350	LS460
Maximum Enclosure Size	Up to 100 cu ft	101-160 cu ft	161-240 cu ft	241-350 cu ft	351-460 cu ft
Supply Wire Size	10 AWG	8 AWG	8 AWG	6 AWG	6 AWG
A.C. VOLTS	240	240	240	240	240
Phase	1	1	1	1	1
Amperes	17	25	34	41	48
Watts	4kw	6kw	8kw	9.7kw	11.4kw
Dimensions L x W x H	20x8x8	20x8x8	20x8x8	20x8x8	20x8x8

Figure 2

NOTE: Two steam units can be placed in tandem next to each other to increase the cubic foot capacity up to 920 cubic feet.

Local codes must be met regardless of this specification.

WARNING!

Never shut off the water to a steam generator that is in use. All plumbing should be installed by a licensed plumber and must comply with all local and national codes.

IMPORTANT:

Place the steam generator in the desired location and make sure the unit is level and in its upright position. The use of a drip pan is recommended.

Water Supply:

Important: Water pressure should not exceed 45 PSI.

1. Connect to a cold water supply line and run a 1/4" copper water line to the steam generator. Install a water shut-off valve near the point of connection. Do not use a saddle valve or piercing type of valve for the water shut-off.
2. It is highly recommended the use of our 80/20 Mineral inline water filter be installed. This filter will help remove the calcium and magnesium, the main components in hard water that cause scale buildup. This will prolong the life of your steam generator, allowing you to enjoy many years of trouble free use.
3. Flush the water line thoroughly to remove any debris that may be in the line.
4. Connect the 1/4" copper water supply line to the 1/4" compression fitting on the water inlet fitting on the top of the steam generator. When tightening this fitting, always use two wrenches so there will be no strain on the water inlet valve.
5. Turn on the water slowly and check all connections for leaks.

Steam Outlet Pipe:

Important: 1/2" copper union and adapter must be installed to facilitate future removal of the generator.

1. Add 8 cups of water through the steam outlet pipe on top of the steam generator to prime the unit. Connect the 1/2" copper adapter and 1/2" copper union to the steam line on the top of the steam generator.
2. Run a 1/2" copper steam line from the steam generator to the steam room; insulate the steam line for best results. Terminate the steam line with a 1/2" C x FIP Hi Ear female adapter and secure to a structural member. Stub out into the steam room with a 1/2" brass nipple. **Do Not** use black iron or galvanized pipe or fittings. They will rust and discolor the wall of the steam room. **Refer to Steam Head Installation on next page**
3. The steam line should be sloped slightly toward the steam generator paying close attention not to allow any valleys or dips where moisture may collect blocking the flow of steam. The steam line can run up, down, or horizontally but it cannot run down and then up. **Do Not** install a shut off valve in the steam line.

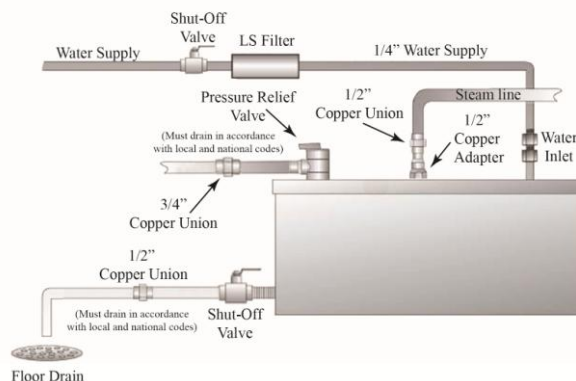
Pressure Relief Valve:

Important: 3/4" copper union must be installed to facilitate future removal of the generator.

1. Install the pressure relief valve in the fitting on the top of the steam generator labeled Pressure Relief Valve.
2. The pressure relief valve outlet must drain in accordance with local and national codes. **Do Not** install a shut-off valve or connect the pressure relief valve output into the steam line.

Drain:

1. Install the included 1/2" ball valve onto the threaded pipe on the back end of the steam generator to facilitate servicing, draining and/or flushing your steam generator. Draining and flushing of the steam unit must drain in accordance with local and national codes. **Do Not** connect the drain valve into the steam line.



CAUTION:

Steam head and steam vapors get very hot during and after use. When selecting steam head placement, position the steam head as far away as possible from seating and standing area(s). If steam head is used in a non-heat resistant enclosure, such as acrylic or fiberglass enclosures, consult with the enclosure manufacturer for recommended steam head mounting locations.

Installation Detail:

1. Selecting a steam head location:

Locate steam head 12" above the shower / tub floor and a minimum of 6" from corner wall, but not directly below the keypad. Attach a 1/2" brass drop ear fitting backed with hi-temp insulation to a support bracket. Install a Placement Nipple into the ear fitting. (The Placement Nipple must be long enough to extend past finished wall).

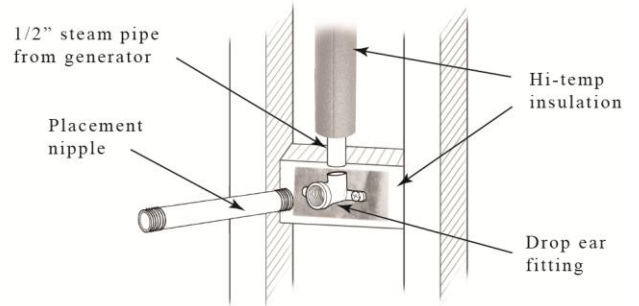
2. Mark the Placement Nipple:

After the shower wall is finished, you need to mark the Placement Nipple to determine final steam head assembly length. To do this, mark the Placement Nipple flush to the wall, remove the placement Nipple. Measure the distance from the mark on the Placement Nipple to the Drop-ear end of the Placement Nipple. Add 5/8" to the measurement. Using the final measurement, choose a Brass Nipple whose length is closest.

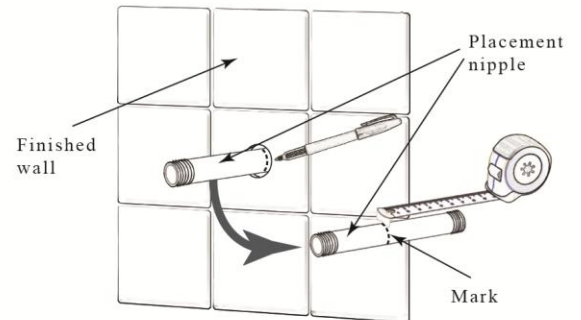
3. Installing steam head assembly:

Apply Teflon tape to each end of the Brass Nipple. Thread the steam head onto one end of the Brass Nipple. DO NOT use any tools that may scratch the steam head finish. Apply hi-temp silicone to the back of the steam head, and Brass Nipple. This will create a watertight barrier between steam head and wall surface. Gently gripping the steam head, thread the steam head assembly into the Drop ear fitting behind the wall and hand tighten until steam head oil reservoir is facing up. When finished, there should be a 3/16" gap between the finished wall and steam head. Wipe off excess silicone.

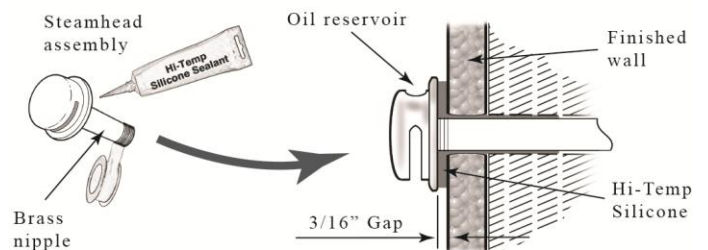
STEP 1.



STEP 2.



STEP 3.



IMPORTANT!

The total distance between the steam generator and the keypad & temperature sensor probe located in the shower or tub area must not be greater than 30 feet.

Installation Detail:

1. **Digital Keypad Mounting Location:**

The Digital Keypad can be mounted either inside or outside the steam room. It is recommended that the control panel be located approximately 5 feet above the floor, but not directly over the steam head. Cut a 5" x 1 3/4" rectangular hole at this location.

2. **Digital Keypad Installation:**

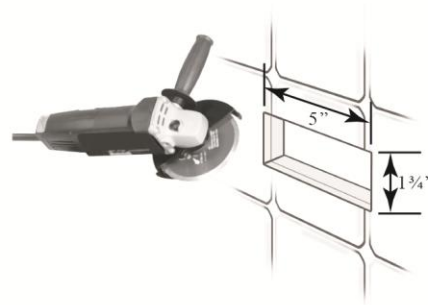
From inside the steam room, string the ribbon cable through the rectangular opening then threw the 1" conduit ending up at the steam unit. Remove the protective backing on the keypad exposing the adhesive foam. Carefully position the keypad on the wall making sure the keypad is level and completely covers the rectangular opening. Firmly press keypad into place.

Note: If you must re-position the control panel, it may be necessary to apply a small amount of 100% silicone caulk to secure the panel to the wall. This will be needed if you think the foam adhesive is no longer making an adequate seal because the foam adhesive is not sticky enough. Wipe any excess silicone off with denatured alcohol. Tape the control panel in place while the silicone hardens.

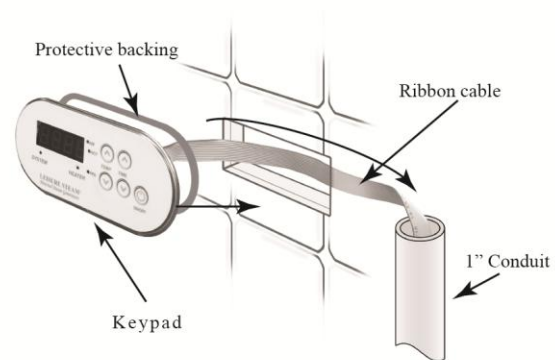
3. **Digital Keypad & Temp Probe Final Connections:**

Plug the ribbon keypad cable into the coupler module located on the front of the steam generator marked keypad. Plug the temp sensor cable into the temperature sensor plug-in located on the front of the steam generator.

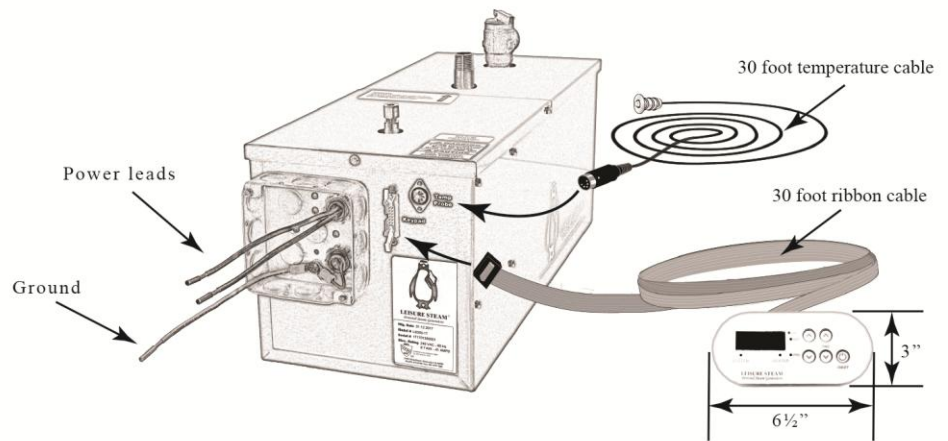
STEP 1.



STEP 2.



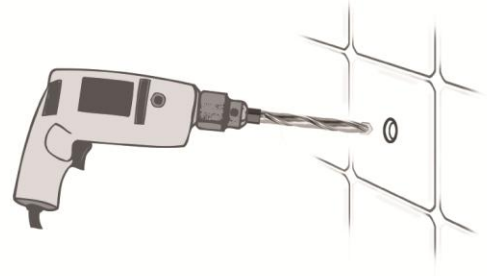
STEP 3.



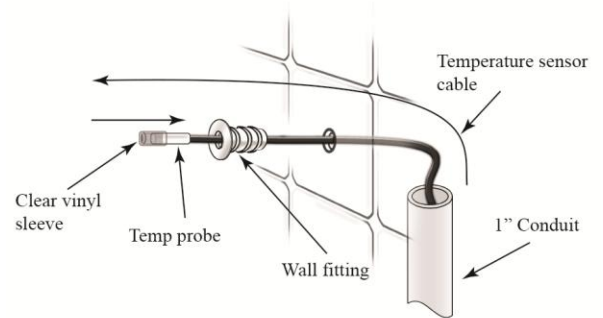
Installation Detail:

- Temperature Sensor Mounting Location:**
DO NOT place the sensor directly over the steam head location. Position the temperature sensor six (6) feet above the floor. Drill a 9/16" hole through the tile at the desired sensor location.
- Assembling the Temperature Sensor Fitting:**
Run the temperature sensor cable from the generator location, through 1" conduit, and out through the hole in the tile. Slide wall fitting onto the sensor/cable. Slide clear vinyl sleeve onto temperature probe. Firmly press temperature probe with vinyl sleeve into wall fitting, leaving 1/8" of the probe exposed.
- Mounting the Temperature Sensor Fitting:**
Apply 100% silicone around the wall fitting and sensor cable. Firmly press temp sensor assembly into place. Wipe off excess silicone.
- Temperature Sensor Final Assembly:**
After confirming final assembly of the temperature probe, locate the control port marked "Temp Probe" On the front of the steam generator and plug the sensor cable into the control port, refer to Digital Keypad Installation Detail for correct placement.

STEP 1



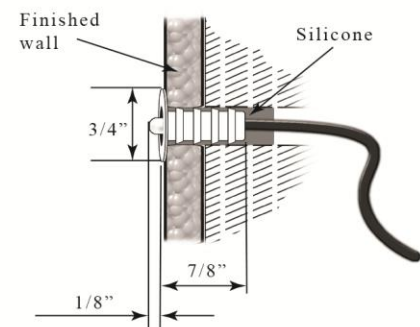
STEP 2



STEP 3



STEP 4



IMPORTANT!

The total distance between the steam generator and the keypad located in the shower or tub area must not be greater than 30 feet.

Installation Detail:

1. **One-Touch Keypad Mounting Location:**

The One-Touch keypad can be mounted either inside or outside the steam room. It is recommended that the keypad be located approximately 5 feet above the floor, but not directly over the steam head. Cut a 1½" hole at this location.

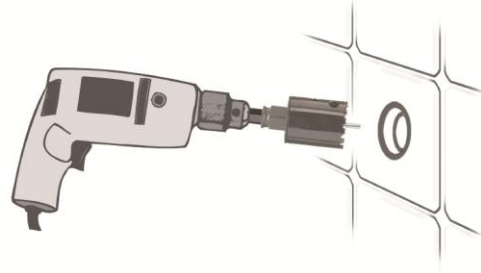
2. **One-Touch Keypad Installation:**

From inside the steam room, string the keypad cable through the hole in the tile then throw the 1" conduit ending up at the steam unit. Remove the protective backing on the keypad exposing the adhesive foam. Carefully position the keypad on the wall making sure the keypad is level. Firmly press keypad into place.

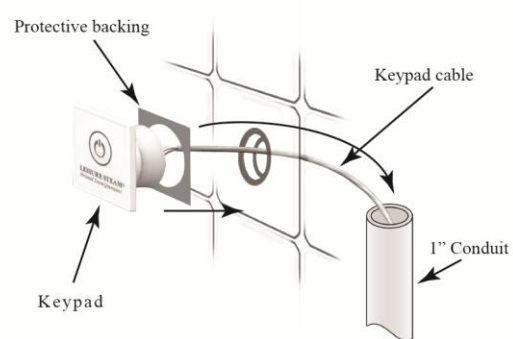
3. **One-Touch Keypad Final Connections:**

Plug the keypad cable into the coupler located on the front of the steam generator, marked keypad. Refer to DETAIL "A" regarding these connections.

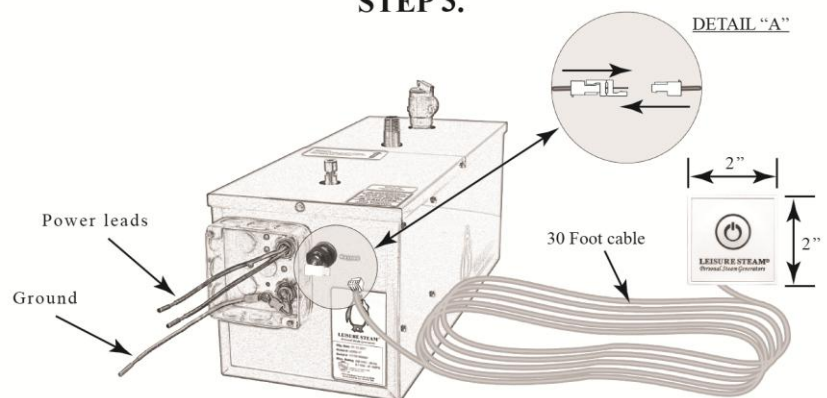
STEP 1.



STEP 2.



STEP 3.



IMPORTANT!

The total distance between the steam generator and the Timer Control located outside the shower or tub area must not be greater than 30 feet.

Installation Detail:

1. Timer Control Mounting Location:

The Timer Control MUST be mounted outside the steam room. Locate a convenient location for the Timer and install a single-gang junction box. It is recommended that the Timer junction box be located approximately 5 feet above the floor. A Timer Run line (not included) must be installed between the Timer junction box and the steam generators 4x4 junction box. Provide a 3 wire #14 AWG Timer Run line between the Timer and the steam generator. Grounding may be required. Refer to local electrical codes for safety requirements.

2. Timer Control Installation:

Strip ends of Timer Run wires ½" long as per the strip gauge located on back side of timer. Insert one wire under the pressure plate marked Load 1 and the other wire under the pressure plate marked Line 1, SCREW DOWN TIGHTLY. Insert wired timer into the junction box with "TOP" (indicated on front of timer) in the up position. Using the two long flat head screws, secure the timer into place.

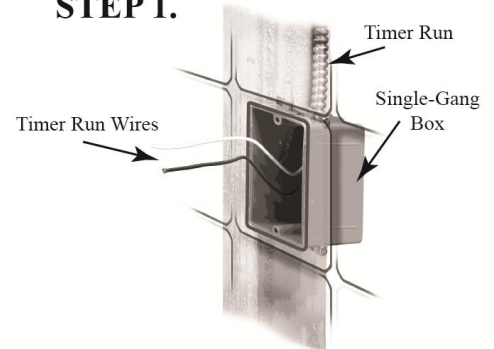
3. Timer Face Plate Installation:

Slip Timer Face Plate over threaded extension with "OFF" mark of the plate in the up position. Using the nut, secure Face Plate to timer threaded extension. Push Knob on timer shaft with Knobs pointer facing the "OFF" position on the Timer Face Plate.

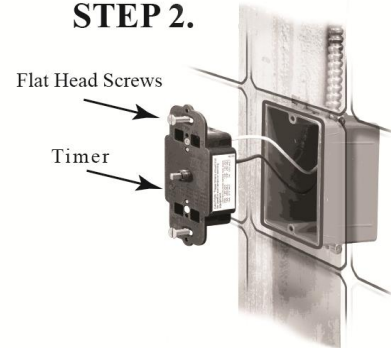
4. Timer Run Final Connections:

At the steam generator, connect the two red wires located in the 4x4 junction box to the Timer Run wires using approved insulated wire connectors. Connect the ground wire from the Timer Run and the ground wire from the power supply to the ground wire provided in the junction box using approved insulated wire connectors.

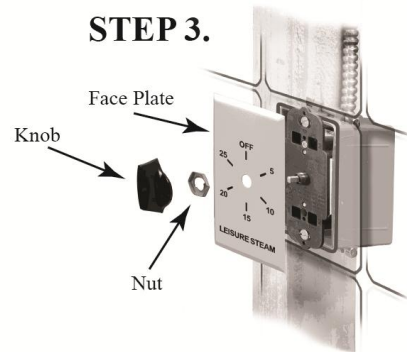
STEP 1.



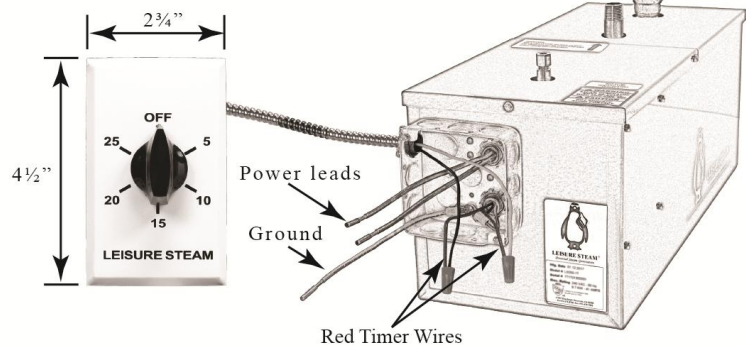
STEP 2.



STEP 3.



STEP 4.



Read all instructions before installing or servicing!

WARNING!

- **Electric shock hazard: High voltage exists within this equipment. There are no user serviceable parts in this equipment.**
- **All installation and service to this equipment should be performed by qualified licensed personnel only.**
- **Electrical grounding is required on all leisure steam generators.**
- **All electrical supplies should be disconnected when servicing the generator.**
- **All electrical wiring should be installed by a licensed electrician and must comply with all local and national codes.**

General Instructions:

1. Install a 240 Volt electrical line from the power panel to the steam generator location. Size the wire for the steam generator using the chart in Figure 2 page 4.
2. A dedicated circuit breaker is required. The proper circuit breaker must be sized using the chart in Figure 2 page 4. A GFI, Ground Fault Interrupter, is not required by UL. This will avoid nuisance tripping as heating elements age.
3. Remove the cover from the electrical junction box on the steam generator.
4. Locate the appropriate knockout on the junction box.
5. Strip back the three (3) incoming wires (two powers and one ground) from the power supply.
6. Connect the two black wires in the junction box to the two power supply wires using approved insulated wire connectors.
7. Connect the ground wire from the junction box to the ground wire from the power supply using approved insulated wire connectors.
8. Re-install the junction box cover plate.

Installation of Dual Tandem Generators

IMPORTANT

- **All plumbing and electrical installation instructions for installing an individual steam generator are to be used.**
- **The only difference is in a tandem installation, the electrician must run a conduit between the two steam generators to wire the color-coded wires together. This will allow one Digital Control panel to operate both steam generators.**
- **If the optional auto drain is used, then two (2) auto drains are required, one for each steam generator.**

General Instructions for Tandem Generators:

1. Each steam generator must have installed a 240 Volt electrical line from the power panel to the steam generator location. A dedicated circuit breaker is required for each steam generator. Please refer to the Leisure Steam Generator Technical Information Chart for amperes, kilowatts and supply wire size. Please refer to Figure 2.
2. Connect the color-coded wires between the steam generators together. The two (2) black wires located in the junction box housing are for the 240 Volt power run and the green wire for the ground wire.
3. Two (2) steam line runs should be installed, one for each steam generator. We provide two steam heads with these models. If at all possible, position the steam heads at opposite ends of the steam room, this will allow for the steam to fill the room faster.
4. Two (2) drain line runs should be installed, one for each steam generator.

Final Installation Checklist

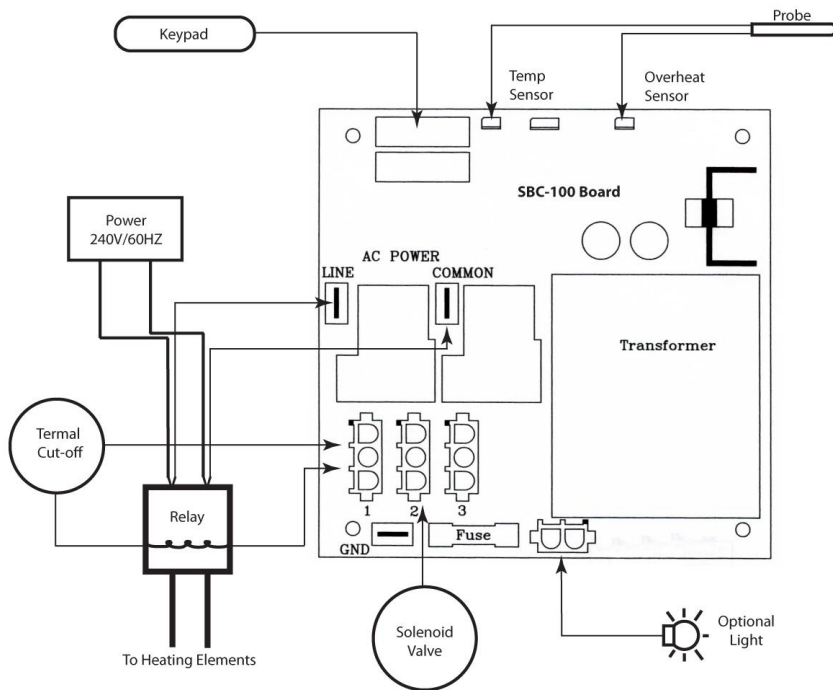
Please verify that the following are true.

- The correct model of generator, controls and accessories are supplied.
- The correct size generator has been selected for the steam room and the correct incoming line voltage and circuit breaker are provided. Please refer to Figure 3.
- The steam generator is level and in an upright position.
- The generator is located in an area that is accessible and will allow for periodic maintenance and future removal.
- The 3/4" copper union and 1/2" copper union are installed to facilitate future removal of the generator.
- The steam generator is properly grounded.
- The circuit breaker power is turned on.
- The water supply shut-off valve is turned to the open position.
- Safety Sign installed on wall outside of steam shower

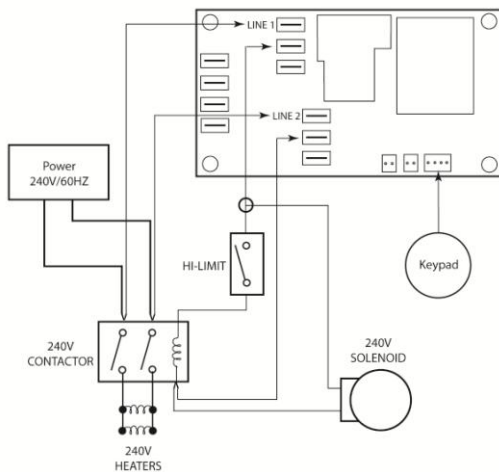
The steam generator is now ready for operation.

Electrical Wiring Diagrams

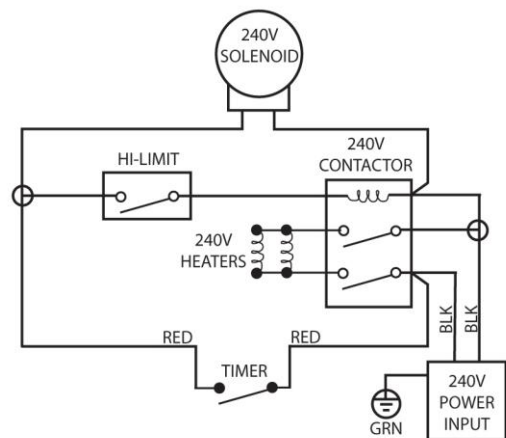
DIGITAL



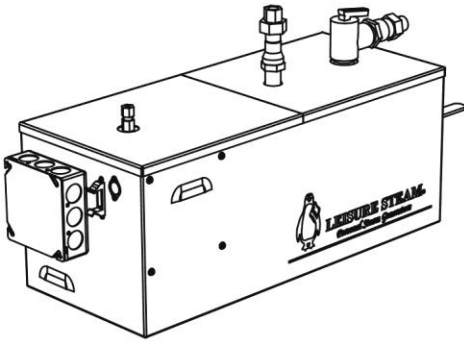
ONE TOUCH



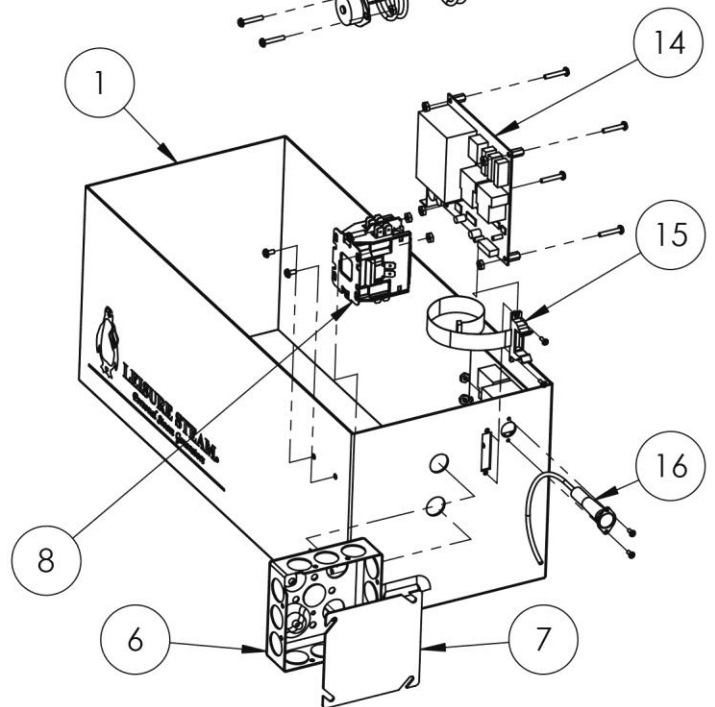
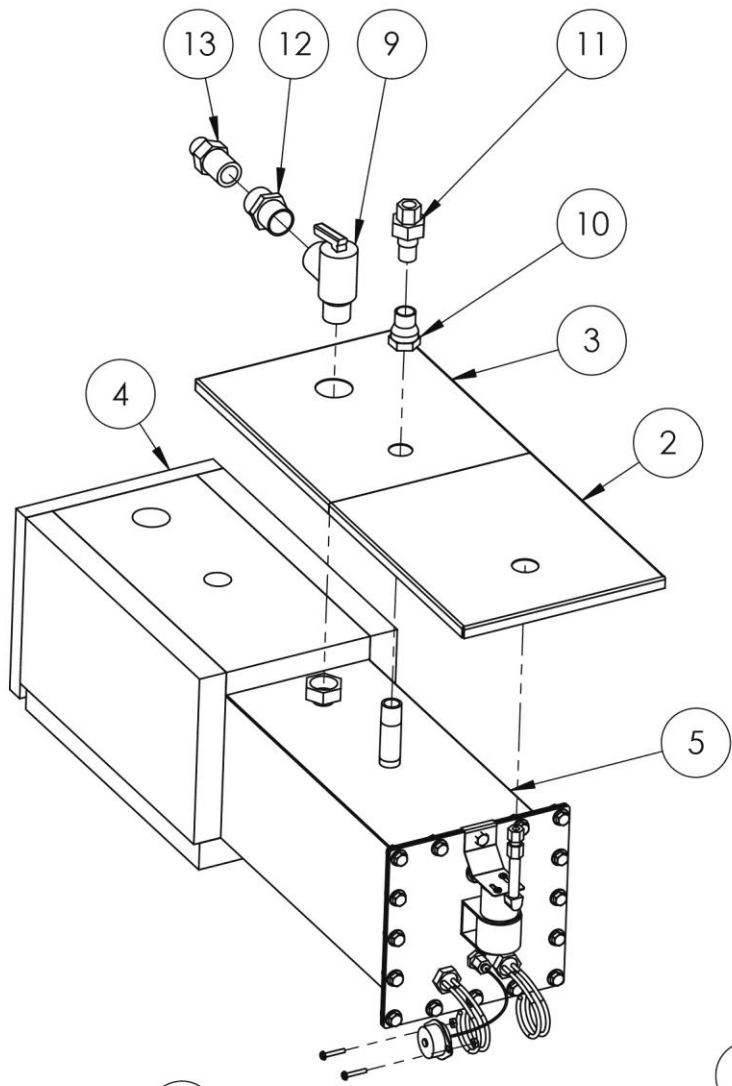
TIMER



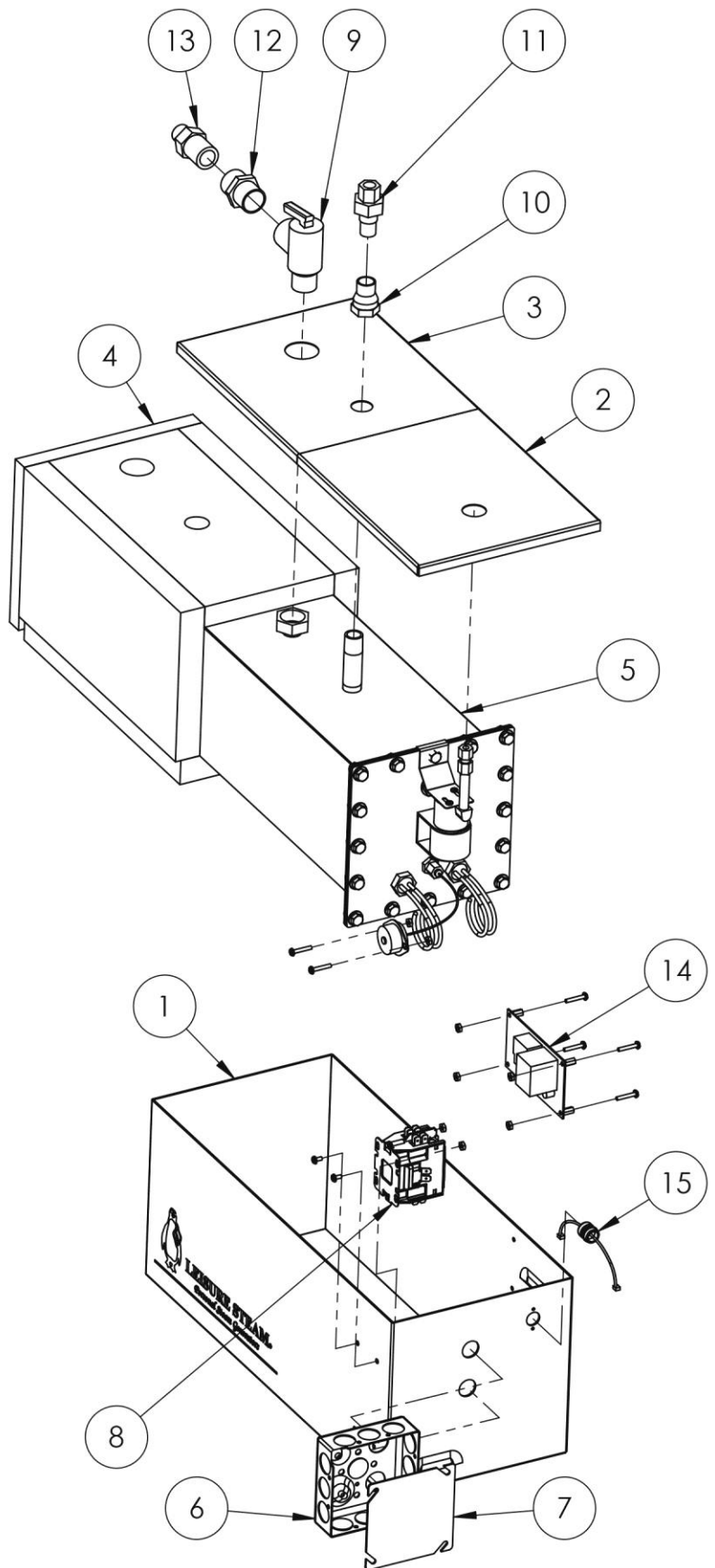
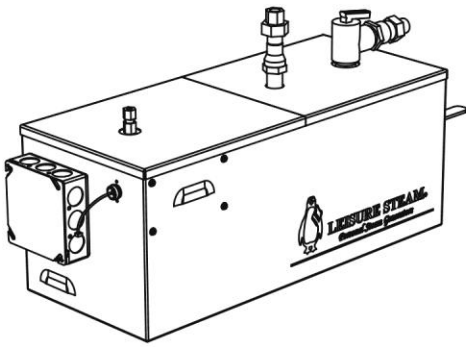
Digital Steam Generator Exploded View Parts List



ITEM NO.	DESCRIPTION
1	Blue Box
2	Blue Box Lid Front
3	Blue Box Lid Rear
4	Foam Insulation
5	Boiler Assembly
6	4X4 "J" Box
7	4X4 "J" Box Cover
8	Relay
9	15lb. Pressure Relief Valve
10	1/2" Female Adaptor
11	1/2" Pressure Union
12	3/4" Male Adaptor
13	3/4" Pressure Union
14	Digital PC Board
15	Keypad Ribbon Ext
16	Temp Sensor Ext

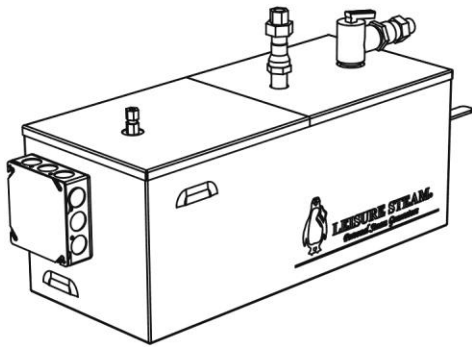


One-Touch Steam Generator Exploded View Parts List

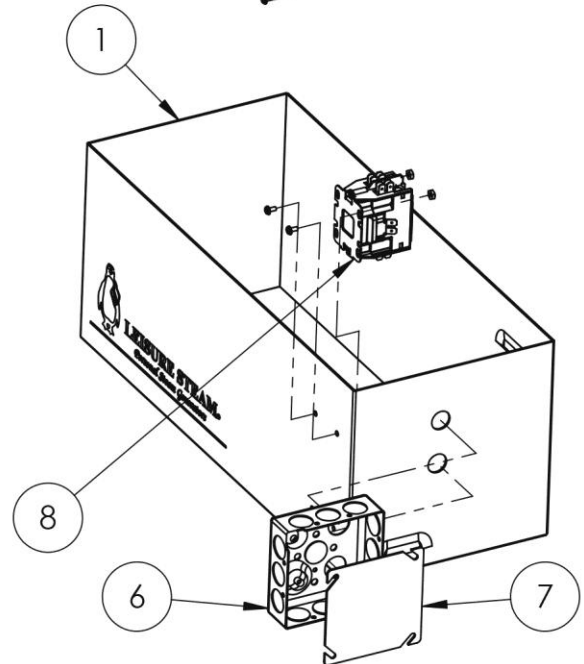
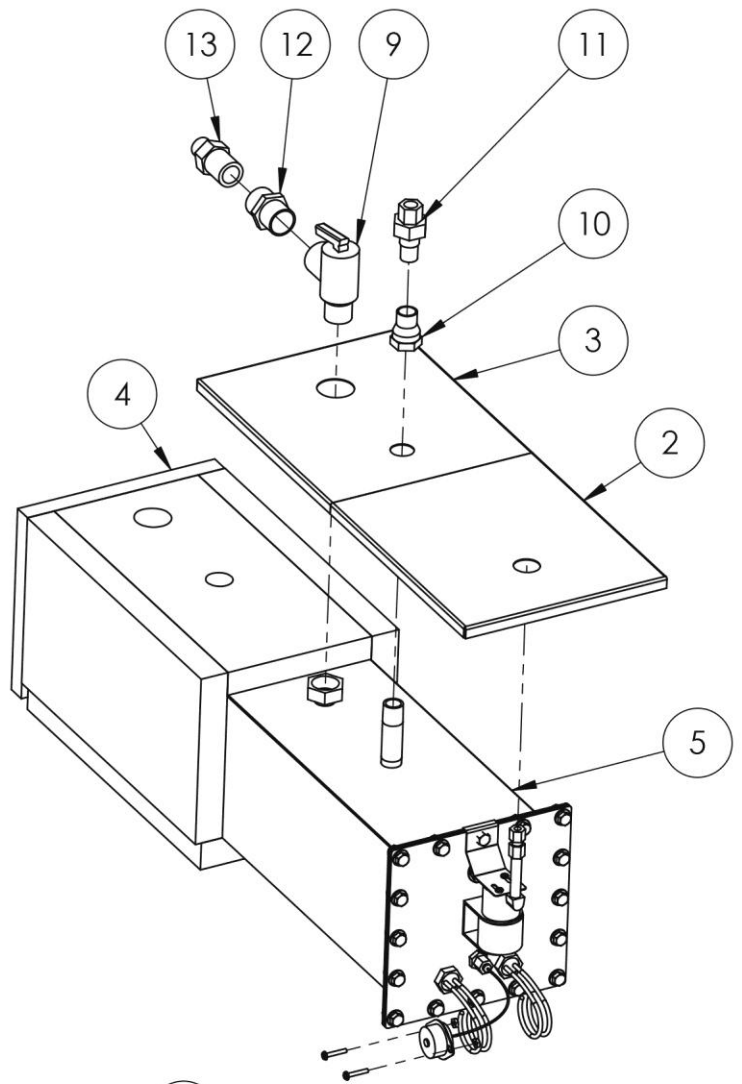


ITEM NO.	DESCRIPTION
1	Blue Box
2	Blue Box Lid Front
3	Blue Box Lid Rear
4	Foam Insulation
5	Boiler Assembly
6	4X4 "J" Box
7	4X4 "J" Box Cover
8	Relay
9	15lb. Pressure Relief Valve
10	1/2" Female Adaptor
11	1/2" Pressure Union
12	3/4" Male Adaptor
13	3/4" Pressure Union
14	One Touch PC Board
15	Keypad Ext

Timer Steam Generator Exploded View Parts List

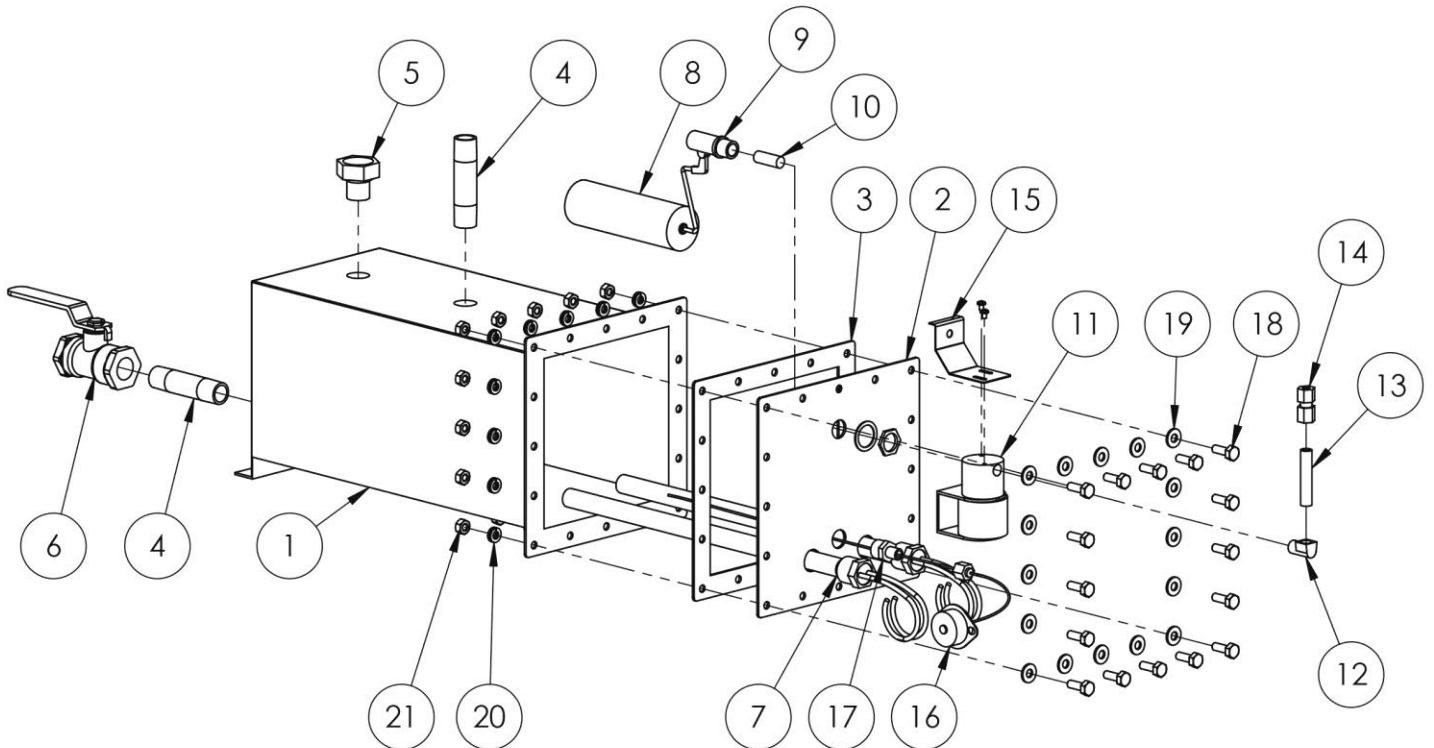
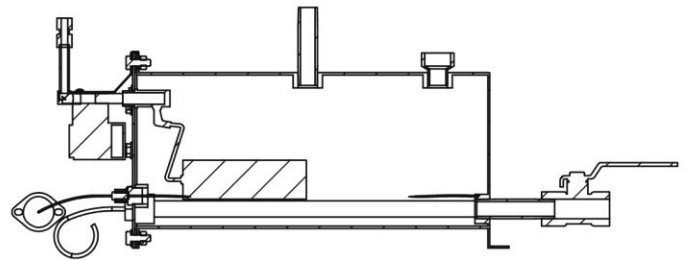
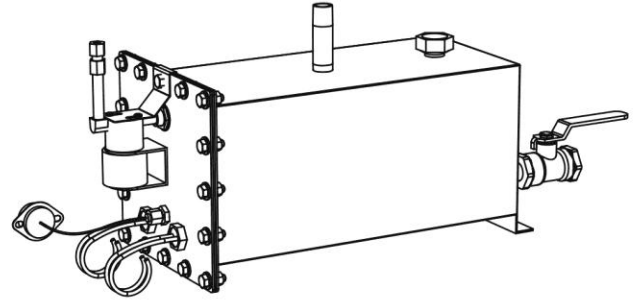


ITEM NO.	DESCRIPTION
1	Blue Box
2	Blue Box Lid Front
3	Blue Box Lid Rear
4	Foam Insulation
5	Boiler Assembly
6	4X4 "J" Box
7	4X4 "J" Box Cover
8	Relay
9	15lb. Pressure Relief Valve
10	1/2" Female Adaptor
11	1/2" Pressure Union
12	3/4" Male Adaptor
13	3/4" Pressure Union



Steam Tank Exploded View Parts List

ITEM NO.	DESCRIPTION
1	Stainless Steel Tank
2	Stainless Steel Face Plate
3	Gasket
4	1/2" x 3" Pipe Nipple
5	3/4" x 1/2" Reducer
6	1/2" Drain Valve
7	Heating Element X 2
8	Stainless Steel Float
9	Float Arm
10	1/8" Hex Nipple
11	Solenoid Valve
12	1/8" Street Ell
13	1/8" x 2" Pipe Nipple
14	1/4" Comp x 1/8" Coupling
15	Solenoid Valve Support
16	Over Temp Switch
17	1/4" Comp x 3/8" Coupling
18	Hex Screw X 16
19	Flat Washer X 16
20	Lock Washer X 16
21	Hex Nut X 16



Operating Instructions



One Touch Keypad



Digital Keypad



Timer

One Touch Control

1. Push the center of the button to turn the steam generator on.
 - A. The LED is lit when the unit is on and heating the room.
 - B. The One Touch has a built-in 30 minute timer that automatically turns the steam generator off.
 - C. Push the on/off button any time during the steam bath to turn the steam generator on or off.

Digital Control

1. Push the on/off button to turn the steam generator on. Your session will automatically end after your programmed timer expires.
2. The Digital Control is designed to automatically heat the room to the set temperature when the power is turned on. The Control also has a built in programmable count-down timer.
 - A. The red System and Heater LED is lit when the unit is on and heating the room.
 - B. Press either of the TEMP buttons to set the desired temperature. When the unit is not turned on and the UP temp button is pressed, this allows you to choose your programmed temperature. Press On/Off Button to ENTER number. (Holding down the buttons during programming allows quicker number changes on the LED monitor). * 115Å°F - 140Å°F recommended.
 - C. Press either UP or DOWN Temp buttons during steam sessions to manually control desired heater output. (Automatically programmed temperature setting will resume on next session).
 - D. **Session Time**, press the UP Time button while the system is off and the PRG LED will blink. Use the Temp UP/DOWN buttons to set the desired session time. Press On/Off button to ENTER. Recommended 30 minutes a session.
 - E. The temperature sensor will monitor the room temperature and when the room heats up to 1 degree above the set temperature, the steam generator will turn off.

- F. The temperature sensor will continue to monitor the room temperature and when the room cools down to 1 degree below the set temperature, the steam generator will turn on.
- G. **Clock Setup**, Press the DOWN Time button while the system is off and the PRG LED will blink. Use the Time UP/DOWN buttons for the hour then press On/Off Button to ENTER. Then repeat the same for the minutes and press the On/Off Button to ENTER.
- H. Push the on/off button any time during the steam bath to turn the steam generator on or off.

Timer Control

- A. Turn Timer knob clockwise to 15. Steam generator will turn on and start producing steam within 2-5 minutes, pre-heating your steam room.
- B. After the steam room has been pre-heated, re-set the timer for the length of time desired for the steam bath.
- C. The steam generator will automatically turn off after the desired time has expired.

Enjoy Your Steam Bath

1. The steam generator will begin to produce steam in 3-5 minutes.
2. The steam room will reach a comfortable temperature in 10-15 minutes.
3. Enter the steam room and close the door tightly.
 - A. We suggest entering the steam room when the temperature is around 95 degrees. This will allow your body to adjust to the temperature as the temperature rises in the steam room.
4. Relax and enjoy your new Leisure Steam bath.
5. Add one of our Aromatherapy Oils for an extra sensual feeling. A couple of pumps from our spray bottle will allow the aroma to flow and be dispersed into the steam. Breathe in the aroma of eucalyptus or lavender or any one of the scents available and transform your steam bath into an extraordinary experience.
6. Take a periodic shower during the steam bath to cool and refresh your self. A lukewarm shower followed by a cold shower will leave you feeling refreshed, relaxed and invigorated.

Maintenance

Leisure Steam generators are designed and manufactured for unattended operation and require little maintenance. Other than periodic draining, maintenance procedures are not required. Every couple of months, or more often depending on local water conditions, the drain valve should be opened to flush out any loose particles and mineral deposits. In areas where hard water is a problem, the Leisure Steam 80/20 Mineral Filter is recommended. The filter will help remove the calcium, magnesium and chlorine, the main components in hard water that cause scale build-up. They will help prolong the life of your steam generator, allowing you to enjoy many years of trouble free use.

Trouble Shooting Guide

Note: The information contained in this section is intended as a general aid only to assist qualified service personnel in the testing and repair of our generators. There are no user serviceable parts in the generator. All repairs should be performed by qualified service personnel only.

Problem	Probable Cause	Action to be Taken
No Steam	Electric power is off	Check circuit breaker Check wiring instructions
No water entering steam generator	Refer to water supply instructions	Verify water shutoff valve is turned to open position
	Shut off valve in closed position	Open Water shut off valve
	Clogged water line	Flush water inlet to remove any debris Replace LS-Filter
	Solenoid malfunction	*Check solenoid valve
Water flows continuously Out of steam head	Check Water Pressure (psi)	*Call factory, pressure should not exceed 45psi
	Float assembly malfunction	*Check float assembly
Too much water in steam	There is a kink or dip in steam line	Check plumbing
	Steam line is over 20 feet	Insulate steam line
Limited amount of steam	Larger generator needed	Verify sizing
	Voltage is insufficient	Check power supply
	Heating element malfunction	*Check heating element
Pressure relief valve is leaking	Clogged steam line	Check steam line
	Clogged steam outlet	Check steam outlet
Too much steam or too hot	Unit is oversized	Verify that the proper size generator has been selected Add Air Switch (timer models only)
Circuit breaker trips	Circuit breaker undersized	Check specifications
	Short circuit	Check wiring
	Heating element malfunction	*Check heating element

*Call Leisure Steam service department.

LIMITED 5-YEAR WARRANTY

Limited 5-year Warranty:

Limited Warranty for defects in materials and workmanship.

Except as indicated below, all Leisure Steam Residential Steam Bath Generators are warranted to the original consumer purchaser to be free from defects in material and workmanship for a period of five (5) years. The Auto Drain control is warranted against defects in material and workmanship for one (1) year. No warranty is given on the finish of steam heads.

This warranty is made to the original consumer purchaser and shall be effective from the date of purchase as shown on the purchaser's receipt. Warranty must be validated by owner completing and returning the warranty card within ten (10) days after installation. This warranty is not transferable.

This warranty will not be valid if these products have not been installed, operated and maintained in accordance with the applicable Leisure Steam Installation and Operating Instructions supplied with the steam generator. This warranty shall be limited to the repair or replacement of defective parts by Leisure Steam after the steam generator has been disconnected and returned to the Leisure Steam factory or authorized service center, freight prepaid.

Repair or replacement of defective parts is the exclusive remedy available from Leisure Steam under this warranty. Labor charges and/or costs or damages incurred in the installation, repair or replacement of the Leisure Steam generator, as well as any incidental or consequential damages or economic loss, are excluded from this warranty and will not be paid by Leisure Steam.

Leisure Steam generators are intended for **residential use only**. Commercial use voids this warranty. This warranty shall not be valid if the serial number has been altered or removed.

Disclaimer, Exclusions and Limitations of all Other Warranties:

This warranty is the exclusive warranty granted by Leisure Steam and is in lieu of all other warranties expressed or implied, written or oral. There are no implied warranties of merchantability, quality or fitness for a particular purpose. Any implied warranties are limited to the terms of the limited warranty described and provided herein.

Leisure Steam is not liable to the purchaser, user or any other person for any incidental or consequential damages for any defect, malfunction or failure of any Leisure Steam product.

Any misuse, abuse, neglect, accident, improper installation, improper service, improper maintenance, any use in violation of the instructions furnished by us, any use of replacement parts other than genuine Leisure Steam parts or any repairs attempted by any person other than one authorized by Leisure Steam will void this warranty.

No person, agent, distributor, dealer, seller, employee or company is authorized to change, modify, amend or enlarge the terms of this limited warranty and disclaimer in any manner whatsoever.

This warranty gives you specific legal rights and you may also have other legal rights that vary from state to state. Some states may not allow the exclusion or limitation of incidental or consequential damages or economic loss so the above limitation or exclusions may not apply to you.

To Obtain Service Under Warranty:

Please write or call the Leisure Steam factory to obtain a Return Goods Authorization (RGA) before shipping the steam generator. Please have the model and serial number available when requesting an RGA.

Leisure Steam
27957 Diaz Road • Temecula, CA 92562
Phone: 951-676-8738 • Fax: 951-676-7292

Include a letter with the following information: Name, address, day time phone number, place of purchase, proof of purchase, model number, serial number and description of problem.

Detach and mail to:
Leisure Steam
27957 Diaz Road
Temecula, CA 92562

REGISTRATION OF WARRANTY

Model # _____ Serial# _____

Purchaser _____ Date of Purchase _____

Address _____

City _____ State _____ Zip _____

Dealer _____ Date of Installation _____

Dealers Address _____

City _____ State _____ Zip _____



Leisure Steam

27957 Diaz Road | Temecula CA 92590

Ph. (866) 605-1312 | Fax (951) 676-7292

www.Leisure-Steam.com | Sales@LeisureSteamInc.com